



US007242774B1

(12) **United States Patent**  
**Elliott et al.**

(10) **Patent No.:** **US 7,242,774 B1**  
(45) **Date of Patent:** **Jul. 10, 2007**

(54) **QUANTUM CRYPTOGRAPHY BASED ON PHASE ENTANGLED PHOTONS**

6,897,434 B1 \* 5/2005 Kumar et al. .... 250/227.18  
7,035,411 B2 \* 4/2006 Azuma et al. .... 380/256  
2002/0097874 A1 \* 7/2002 Foden et al. .... 380/256

(75) Inventors: **Brig Barnum Elliott**, Arlington, MA (US); **John D. Schlafer**, Wayland, MA (US); **David Spencer Pearson**, Bennington, VT (US)

(73) Assignee: **BBN Technologies Corp.**, Cambridge, MA (US)

(\* ) Notice: Subject to any disclaimer, the term of this patent is extended or adjusted under 35 U.S.C. 154(b) by 729 days.

(21) Appl. No.: **10/462,400**

(22) Filed: **Jun. 16, 2003**

**Related U.S. Application Data**

(60) Provisional application No. 60/456,871, filed on Mar. 21, 2003.

(51) **Int. Cl.**  
**H04L 9/00** (2006.01)

(52) **U.S. Cl.** ..... **380/256; 356/73.1**

(58) **Field of Classification Search** ..... **380/256; 356/73.1**

See application file for complete search history.

(56) **References Cited**

**U.S. PATENT DOCUMENTS**

5,243,649 A	9/1993	Franson	.....	380/9
6,605,822 B1 *	8/2003	Blais et al.	.....	257/34
6,646,727 B2 *	11/2003	Saleh et al.	.....	356/73.1
6,728,281 B1 *	4/2004	Santori et al.	.....	372/45.01
6,882,431 B2 *	4/2005	Teich et al.	.....	356/497

**OTHER PUBLICATIONS**

A. Imamoglu and Y. Yamamoto, "Turnstile Device for Heralded Single Photons: Coulomb Blockade of Electron and Hole Tunneling in Quantum Confined p-n Heterojunctions", Physical Review Letters, vol. 72, No. 2, Jan. 10, 1994, pp. 210-213.\*

J.D. Franson: "Bell Inequality for Position and Time," Physical Review Letters, vol. 62, No. 19, Laurel, Maryland, May 8, 1989, pp. 2205-2208.

Grégoire Ribordy et al.: "Long-distance entanglement-based quantum key distribution," Physical Review A. vol. 63, 012309, Geneva, Switzerland, Dec. 13, 2000, pp. 012309-1 through 012309-12.

N. Gisin et al.: "Quantum cryptography and long distance Bell experiments: How to control decoherence," Geneva, Switzerland, Jan. 15, 1999, pp. 1-7 and 4 pages and drawings.

Artur K. Ekert: "Quantum Cryptography Based on Bell's Theorem," Physical Review Letters, vol. 67, No. 6, Aug. 5, 1991, Oxford, U.K., pp. 661-663.

(Continued)

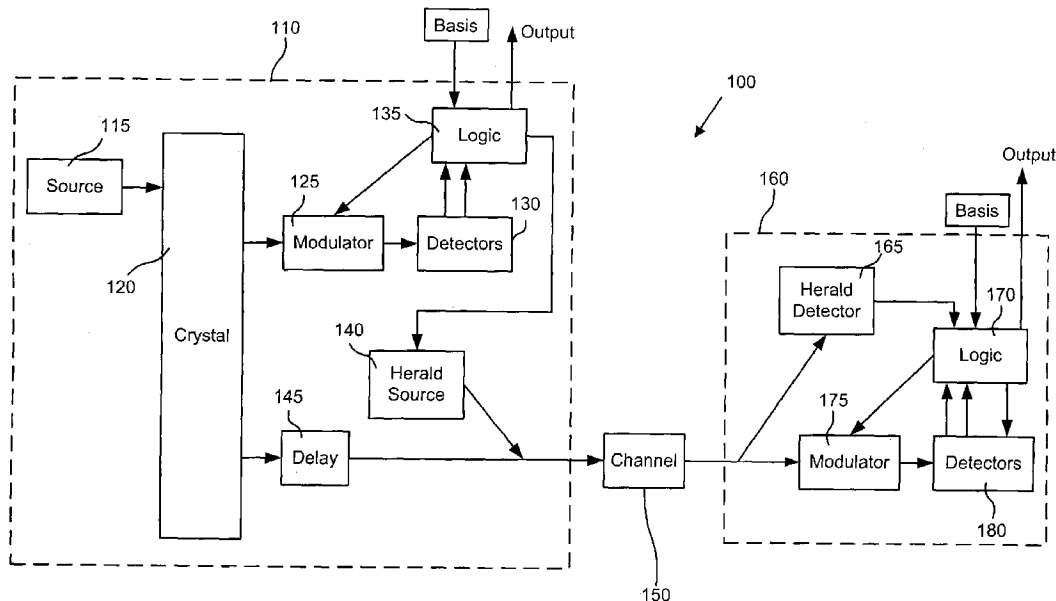
*Primary Examiner*—Taghi T. Arani

(74) *Attorney, Agent, or Firm*—Fish & Neave IP Group Ropes & Gray LLP

(57) **ABSTRACT**

A quantum cryptography system [100] may include a transmitter [110] configured to generate entangled first and second photons, modulate and detect the first photon, and transmit detection information and the second photon. The system [100] may also include a receiver [160] configured to modulate the second photon. The receiver [160] may also be configured to detect the second photon based on the detection information.

**13 Claims, 7 Drawing Sheets**



OTHER PUBLICATIONS

D.S. Naik et al.: "Entangled State Quantum Cryptography: Eavesdropping on the Ekert Protocol," *Physical Review Letters*, vol. 84, No. 20, May 15, 2000, Queensland, Australia, pp. 4733-4736.

Thomas Jennewein et al.: "Quantum Cryptography with Entangled Photons," *Physical Review Letters*, vol. 84, No. 20, May 15, 2000, Vienna, Austria, pp. 4729-4732.

Nicolas Gisin et al.: "Quantum Cryptography," *Reviews of Modern Physics*, vol. 74, Jan. 2002, Geneva, Switzerland, pp. 145-184.

W. Tittel et al.: "Long-distance Bell-type tests using energy-time entangled photons," *Physical Review A*, vol. 59, No. 6, Jun. 1999, Geneva, Switzerland, pp. 4150-4163.

S. Tanzilli et al.: "PPLN waveguide for quantum communication," *The European Physical Journal D*, Jul. 13, 2001, pp. 155-160.

\* cited by examiner

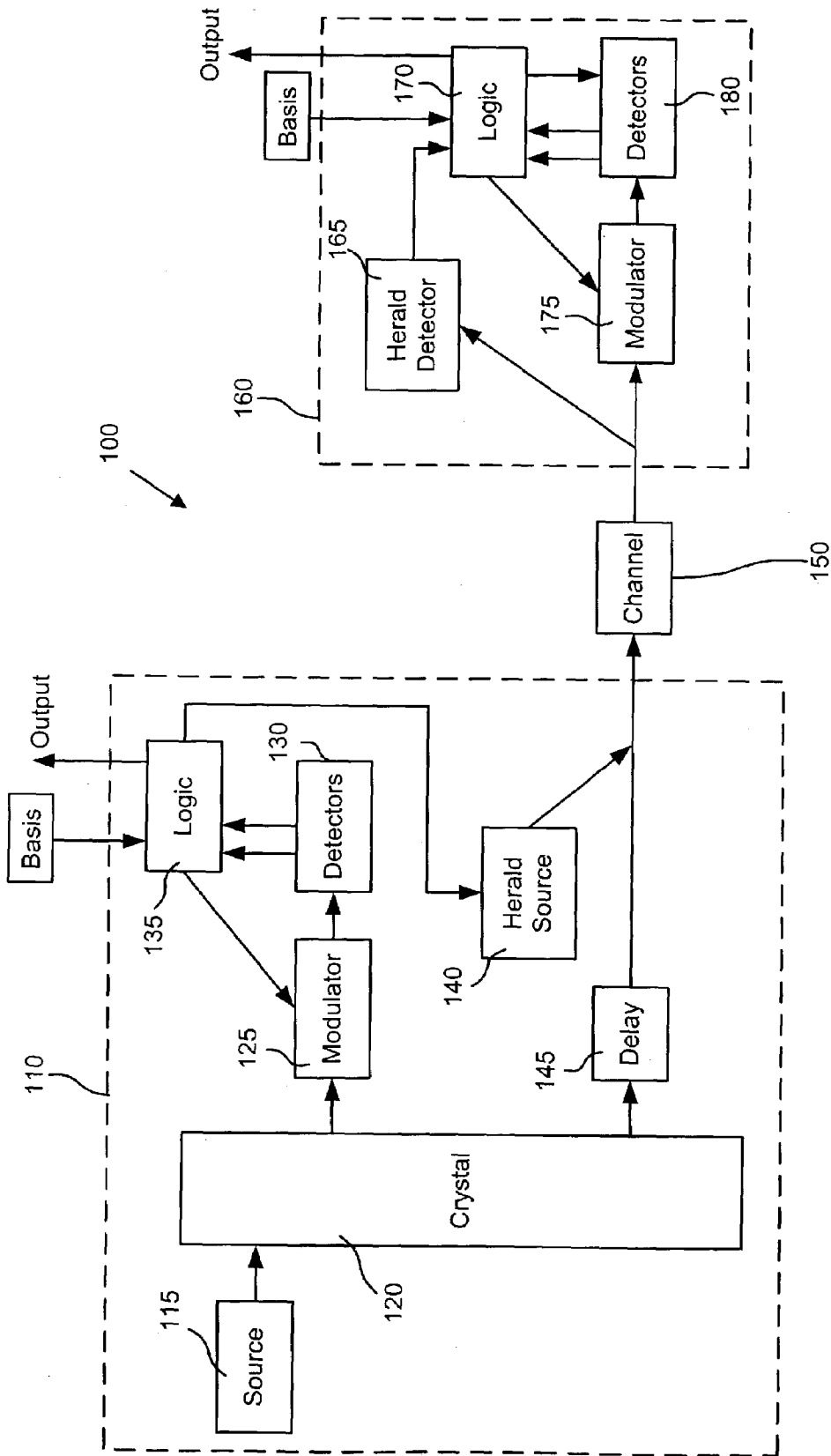


Fig. 1

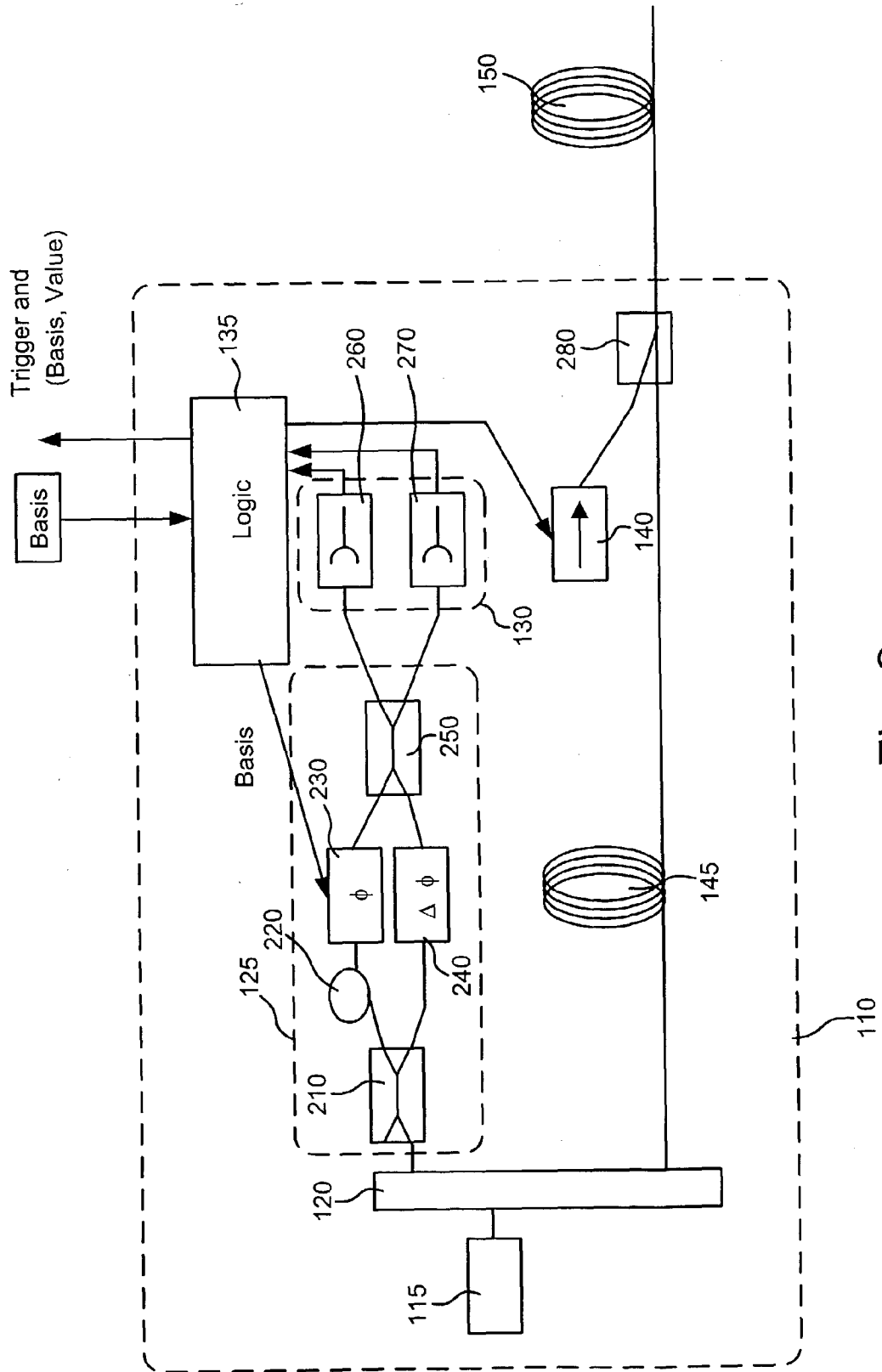


Fig. 2

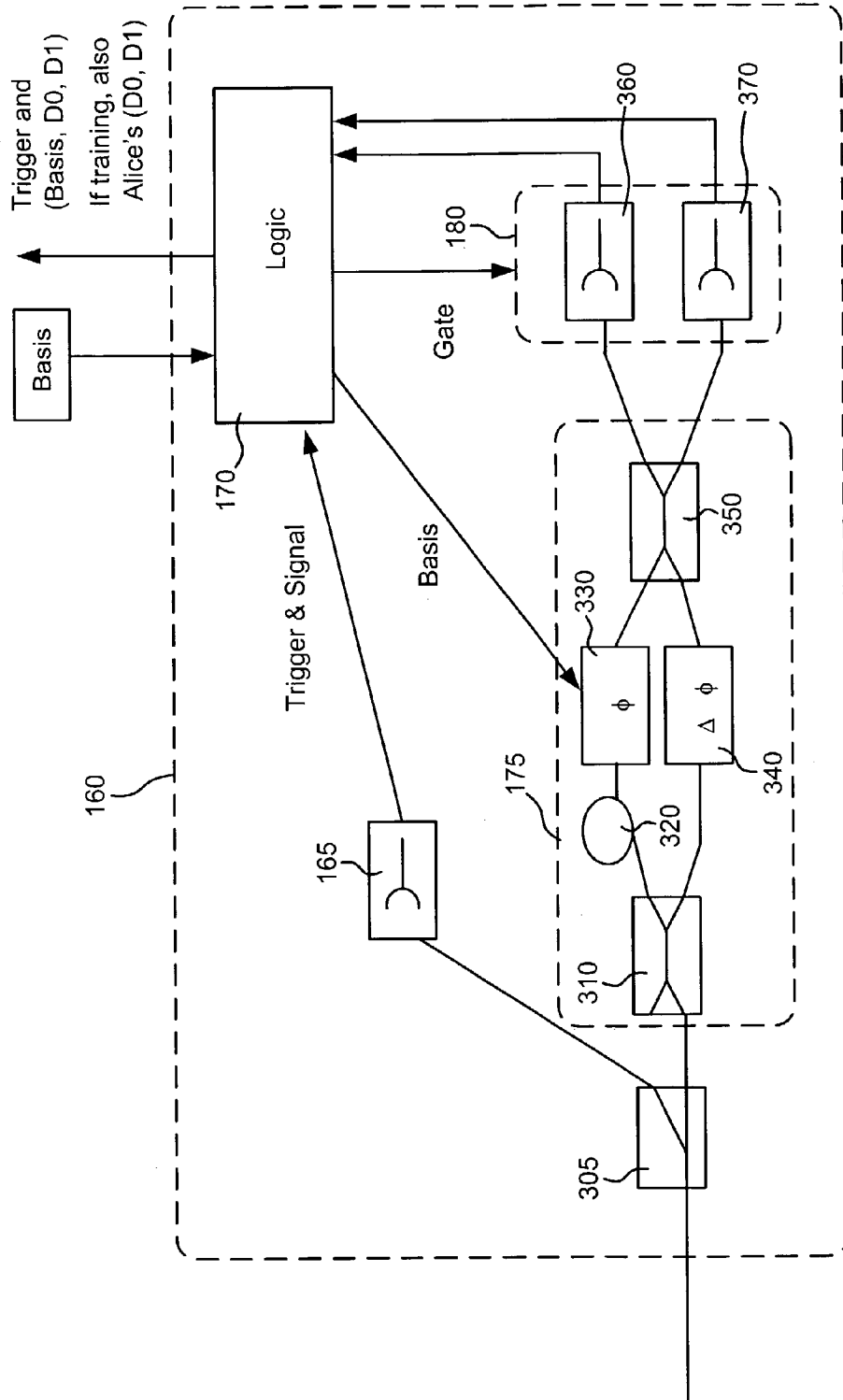


Fig. 3

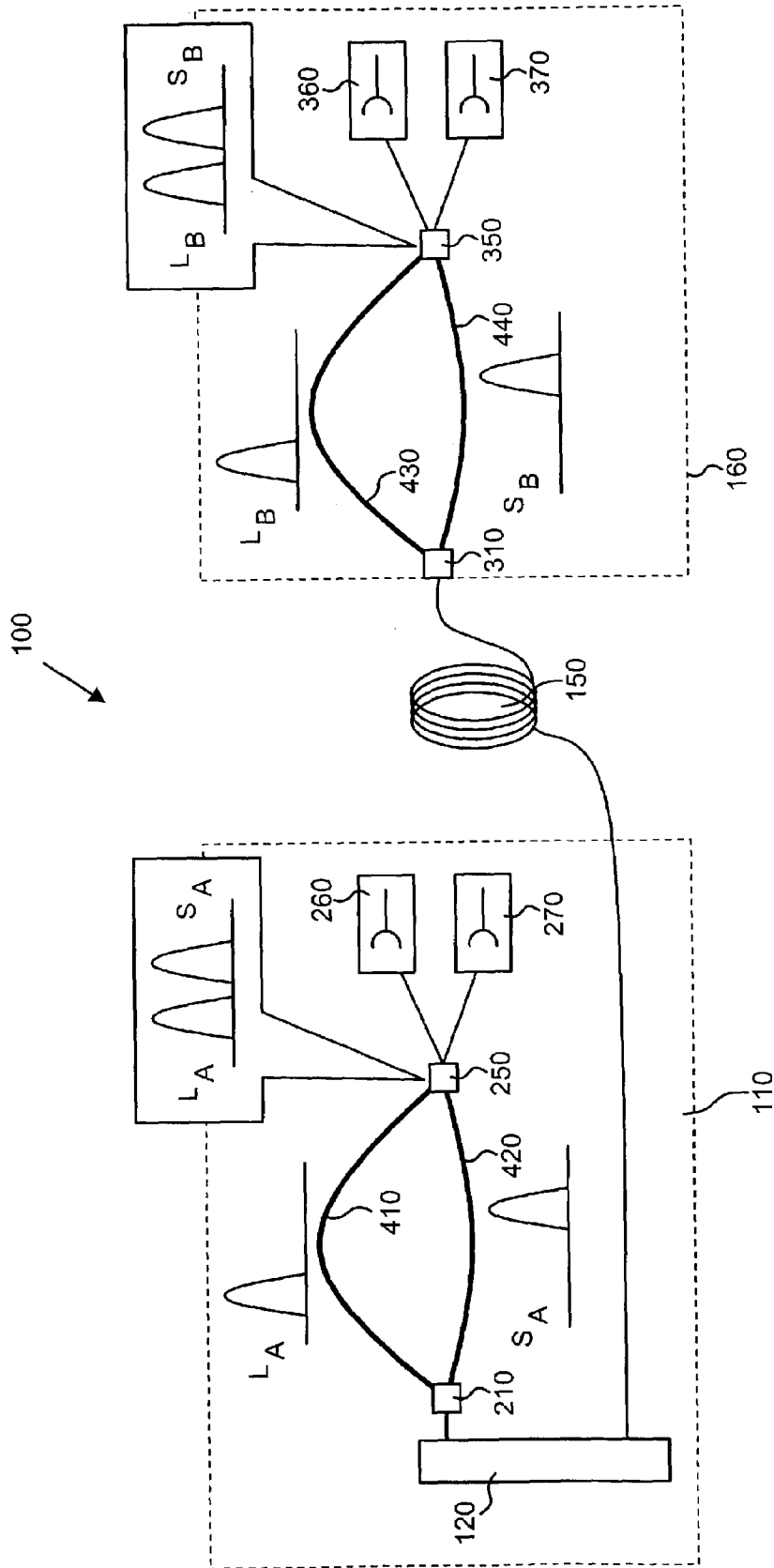


Fig. 4

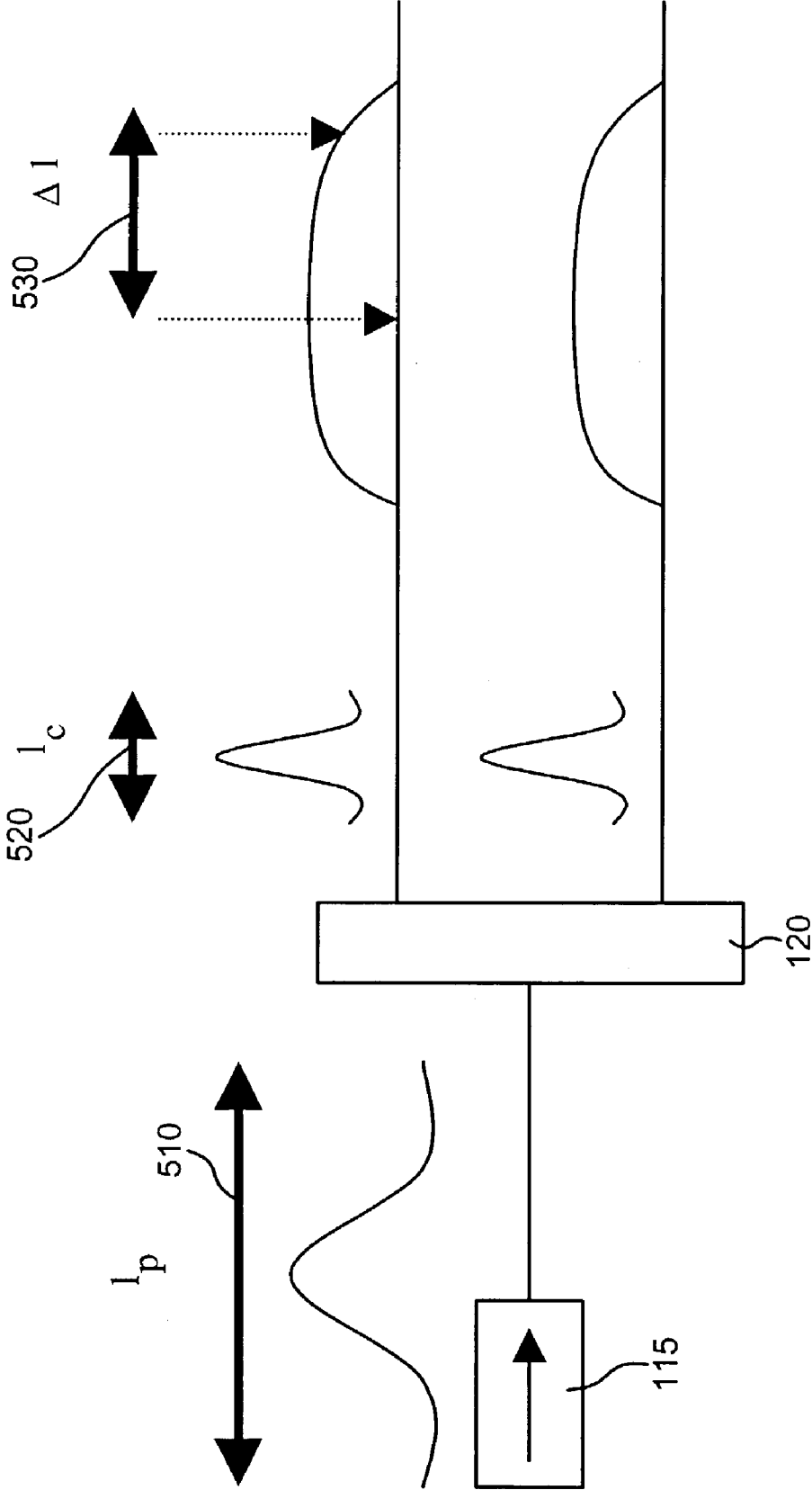


Fig. 5

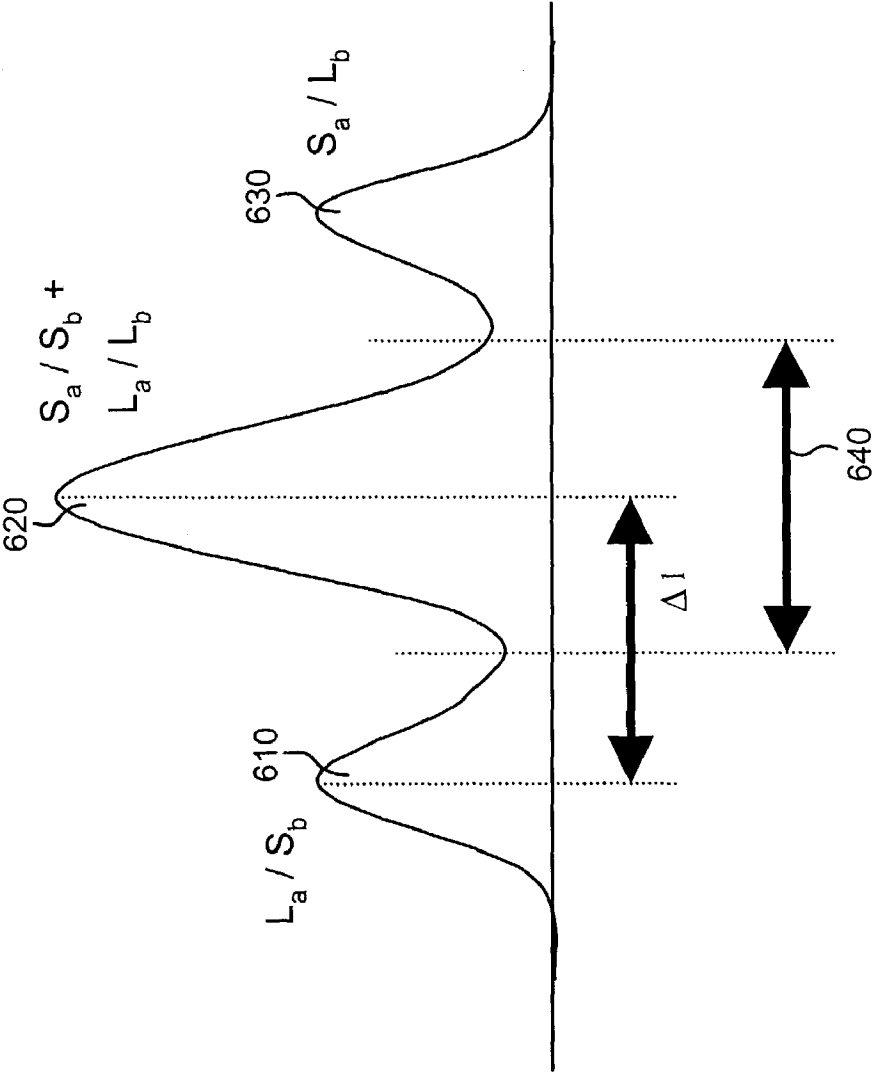


Fig. 6

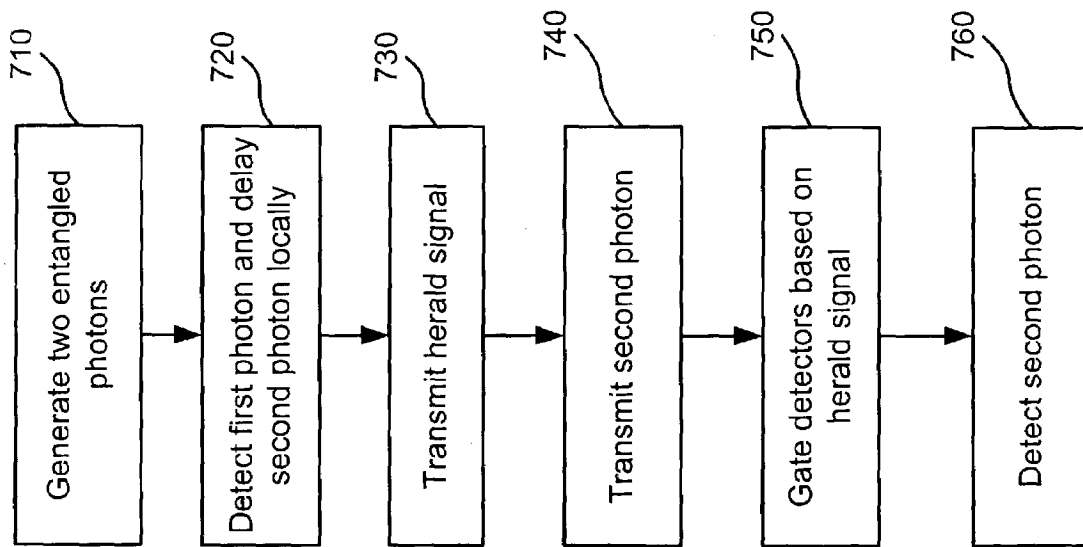


Fig. 7

## QUANTUM CRYPTOGRAPHY BASED ON PHASE ENTANGLED PHOTONS

### RELATED APPLICATION

This application claims the benefit of priority under 35 U.S.C. § 119(e) of a provisional application Ser. No. 60/456, 871, filed Mar. 21, 2003, the entire contents of which are incorporated herein by reference.

### GOVERNMENT INTEREST

The invention described herein was made with government support. The U.S. Government may have certain rights in the invention, as provided by the terms of contract No. F30602-01-C-0170 awarded by the Defense Advanced Research Projects Agency (DARPA).

### BACKGROUND OF THE INVENTION

#### 1. Field of the Invention

The present invention relates generally to cryptography and, more particularly, to quantum cryptography systems and methods.

#### 2. Description of the Related Art

The worldwide proliferation of digital communication fuels an ongoing quest for more secure and efficient modes of conveying information. In the context of the Internet, for example, digital exchanges between geographically separated parties may pass through any number of non-secure intermediate devices and thus invite a wide variety of unwanted third party interference, including eavesdropping, tampering and impersonation. Such interference in turn drives development and use of an equally wide variety of preventative measures.

The art of cryptography represents one such measure. In cryptography-based systems, a sending party encrypts a message to produce a corresponding cipher message, or cryptogram, and transmits the cipher message to an intended recipient via a potentially non-secure communication channel. The intended recipient then decrypts the cipher message to recover the original message. Since the cipher message is, at least in theory, unintelligible to anyone other than the sender and the intended recipient, a potentially malicious third party with access to the communication channel cannot readily eavesdrop or otherwise interfere.

Quantum cryptography (i.e., cryptography using applied quantum mechanics) is one type of cryptography that has certain advantages. In single-photon quantum cryptography, for example, cipher symbols (also known as "values") may be encoded via non-commuting observables of individual photons conveyed from a sender to an intended recipient (e.g., via an optical fiber). Because quantum mechanics guarantees that a third party cannot divide a single photon, or simultaneously discern precise values for non-commuting observables of a single photon, the sender and the intended recipient may work together to develop secure and mutually agreed upon ciphers for use in subsequent cryptographic exchanges.

Quantum cryptography based on highly attenuated laser sources ("Weak Coherent" quantum cryptography) may be vulnerable to advanced forms of eavesdropping. In particular, one attack may be termed a Photon Number Splitting (PNS) attack. This attack exploits the fact that attenuated sources are not true single-photon sources, but rather produce photons by a Poissonian process. Thus sometimes multiple photons may be emitted instead of a single photon.

The attack determines which emitted pulses in fact contain multiple photons. It suppresses all other pulses, extracts one or more photons from the multi-photon pulses and then analyzes them, and then delivers the remaining photon (or its synthesized surrogates) to the intended receiver. In this manner, the eavesdropper can reliably learn the contents of the supposedly secure transmission of raw key material, and hence may be able to intercept, read, and fabricate messages. Several other such attacks have been proposed in the specialist literature, based on the emission characteristics of attenuated Weak Coherent laser sources.

To remedy these shortcomings, some research teams have proposed and occasionally built forms of quantum cryptographic systems based on the production and detection of pairs of entangled photons, such as the process of Spontaneous Parametric Downconversion. Such systems appear to overcome some weaknesses of Weak Coherent systems. However, existing systems based on entanglement do not provide any means for performing Path Length Control which is the process of continually readjusting two widely separated interferometers (one at the transmitter and the other at the receiver) to maintain an exact relationship between their lengths, even as temperatures of the interferometers rise and fall, etc. Nor do they provide any facility for generating numbered frames of entangled photons rather than a single, long, unnumbered series of such photons. In addition these systems lack convenient facilities for debugging and trouble-shooting. Consequently, a need exists for improved forms of quantum cryptography based on entanglement of photons.

### SUMMARY OF THE INVENTION

Systems and methods consistent with the present invention address this and other needs by locally generating a series of entangled photon pairs, detecting one photon of an entangled pair and remotely detecting another photon of the entangled photon pair based on the local detection of the one photon.

In accordance with the purpose of the invention as embodied and broadly described herein, a quantum cryptography system may include a transmitter configured to generate entangled first and second photons, modulate and detect the first photon, and transmit detection information and the second photon. The system may also include a receiver configured to modulate the second photon. The receiver may also be configured to detect the second photon based on the detection information.

In another implementation consistent with the present invention, a transmitter in a quantum cryptography system may include an optical apparatus configured to produce first and second entangled photons and a modulator configured to receive and modulate the first photon. Two detectors may be coupled to an output of the modulator and may be configured to detect the first photon from the modulator. Logic may be coupled to the modulator and the two detectors.

In a further implementation consistent with the present invention, a receiver within a quantum cryptography system may include a herald detector configured to receive a herald signal from a communication channel and generate a detection signal. A modulator may be configured to receive an entangled photon from the communication channel and phase modulate the entangled photon. Two detectors may be coupled to the modulator and configured to detect the entangled photon. Logic may be coupled to the herald detector, the modulator, and the two detectors.

In yet another implementation consistent with the present invention, a method may include generating first and second entangled photons and locally detecting the first entangled photon. The method may also include transmitting a herald signal based on detection of the first entangled photon and transmitting the second entangled photon. The method may also include preparing to receive the second entangled photon based on the herald signal and detecting the second entangled photon if the second entangled photon arrives during a detection window.

#### BRIEF DESCRIPTION OF THE DRAWINGS

The accompanying drawings, which are incorporated in and constitute a part of this specification, illustrate an embodiment of the invention and, together with the description, explain the invention. In the drawings,

FIG. 1 illustrates an exemplary cryptography system in an implementation consistent with the principles of the invention;

FIG. 2 illustrates one implementation of the transmitter of FIG. 1;

FIG. 3 illustrates one implementation of the receiver of FIG. 1;

FIG. 4 is a schematic representation of the cryptography system **100** of FIGS. 1–3, in an implementation consistent with the principles of the invention;

FIG. 5 schematically illustrates conditions for obtaining coincidences in a cryptography system;

FIG. 6 illustrates a probability density function for the time of arrival of an entangled photon at the receiver of a cryptography system; and

FIG. 7 illustrates an exemplary method of generating and transmitting information in accordance with implementations of the present invention.

#### DETAILED DESCRIPTION

The following detailed description of the invention refers to the accompanying drawings. The same reference numbers in different drawings may identify the same or similar elements. Also, the following detailed description does not limit the invention. Rather, the scope of the invention is defined by the appended claims and equivalents.

Methods and systems consistent with the principles of the invention may locally detect one photon of an entangled photon pair. Another photon of the entangled photon pair may be remotely detected based on the local detection of the one photon.

#### Exemplary System

FIG. 1 illustrates an exemplary cryptography system **100** in which the principles of the present invention may be implemented. System **100** may include a transmitter **110** and a receiver **160** connected by a communication channel **150**. In the cryptographic arts, transmitter **110** may be referred to as an encoder, “Alice,” and receiver **160** may be referred to as a decoder, “Bob.” Similarly, an eavesdropper monitoring channel **150** may be referred to as “Eve.” Although receiver **160** also may communicate with transmitter **110** (e.g., in accordance with a quantum communication protocol such as BB84) as will be understood by those skilled in the art, the description herein will primarily focus on transmission of information from transmitter **110** to receiver **160**.

Transmitter **110** may include a source **115**, a crystal **120**, a modulator **125**, detectors **130**, logic **135**, a herald source

**140**, and a delay element **145**. Logic **135** may receive an externally-supplied basis and may supply an output to, for example, a processor (not shown) external to transmitter **110**. As an initial overview, source **115** and crystal **120** may function to produce pairs of quantum-entangled photons. Modulator **125** and detectors **130** may operate on and locally detect one photon of a given entangled pair of photons. Upon such detection, logic **135** may cause herald source **140** to send an annunciator signal (or “herald” signal) to receiver **160** over channel **150**. Delay element **145** may receive and delay the second photon of the given entangled pair so that it travels to receiver **160** over channel **150** after the herald signal.

FIG. 2 illustrates one implementation of transmitter **110** and channel **150**. Source **115** may be a continuous wave (CW) laser source configured to provide a steady stimulus of pump photons to crystal **120**. In one implementation consistent with the principles of the invention, the coherence length of these pump photons ( $l_p$ ) is on the order of about 60 meters.

Crystal **120** may be configured to be stimulated by pump photons from source **115**. Energy levels may be raised within crystal **120** by these pump photons, and after some unpredictable time, the energy level of atoms within crystal **120** will fall, emitting one or more “down-conversion” photons. Some fraction of these photons are caused by a particular physical process (i.e., Spontaneous Parametric Down-Conversion (SPDC)) that produces pairs of quantum-entangled photons. In one implementation consistent with the principles of the invention, the coherence length of these entangled photons ( $l_e$ ) is on the order of about 1  $\mu\text{m}$ .

In one implementation consistent with the principles of the invention, crystal **120** may produce entangled pairs of photons at respective wavelengths of about 810 nm and 1550 nm, although other wavelengths are possible. Crystal **120** may include two different photonic paths: one for the 810 nm photons leading to modulator **125** and another for the 1550 nm photons leading to delay element **145**. For each pair of entangled photons emitted by crystal **120**, one photon may enter modulator **125**, and the other photon may enter delay element **145**.

In one implementation consistent with the principles of the invention, modulator **125** may include an interferometer, such as a Mach-Zehnder interferometer. In such an implementation, modulator **125** may include a coupler **210**, a delay loop **220**, a phase shifter **230**, a phase adjustor **240**, and a coupler **250**. Couplers **210** and **250** may respectively split and recombine an input optical signal between a “long arm” (i.e., delay loop **220** and phase shifter **230**) and a “short arm” (i.e., phase adjustor **240**) of modulator **125**. The designator “long” in the long arm of modulator **125** refers to the added path length/time introduced by delay loop **220**, relative to the short arm that includes phase adjustor **240**. In one implementation consistent with the principles of the invention, the path length difference between the long and short arms ( $\Delta l$ ) is on the order of about 1 meter.

As will be understood by those skilled in the art, couplers **210** and **250** may be 50/50 couplers. Hence, coupler **250**, for example, may at random send an incoming single photon to one of the detectors **130** (e.g. detector **260**), or may at random send the photon to the other one of detectors **130** (e.g. detector **270**).

Phase shifter **230** may be configured to introduce a phase shift/delay to the optical signal in the long arm of modulator **125** based on a “basis” signal that it received from logic **135**. As used herein, a “basis” signal/value may denote a random variable used in accordance with a quantum encryption

protocol, such as BB84. For example, depending on the basis signal, phase shifter **230** may introduce a phase shift of 0°, 45°, 90°, 135°, etc. to an optical signal (i.e., one photon of an entangled pair) passing therethrough. Phase adjuster **240** may be configured to introduce a fixed phase shift/delay to optical signals passing through the short arm of modulator **125**. Phase adjuster **240** may be used to adjust the path length difference  $\Delta l$  of modulator **125**, for example, to adjust for component drift or to correspond to the path difference of a similar modulator in receiver **160**.

Detectors **130**, in one implementation consistent with the principles of the invention, may include a first detector (D0) **260** and a second detector (D1) **270**. First detector **260** may be coupled to one output of coupler **250**, and a second detector **270** may be coupled to another output of coupler **250**. First and second detectors **260/270** may include silicon avalanche photodiodes (Si APDs), which may be configured to trigger/fire upon receiving a single photon from modulator **125**.

Logic **135** may be configured to receive a photon detection signal from one of first and second detectors **260/270** and to trigger herald source **140** in response. Logic **135** may also be configured to receive an externally-supplied basis and to supply that basis to phase shifter **230**. Logic **135** may also output the basis and which of first and second detectors **260/270** fired first. Logic **135** also may, in some implementations, output information relating to the trigger signal sent to herald source **140**.

Herald source **140** may include, for example, a diode laser. This source **140** may also be referred to as a “bright” source, because it may output a relatively bright (e.g., multiple photons, high power) signal, compared to a single photon. Herald source may output a herald signal (or an “annunciator” signal, or “out of band bits,” or more generally, “information”) with a wavelength of about 1300 nm, in one implementation consistent with the principles of the invention. The herald signal from herald source **140** may be transmitted along channel **150** via combiner **280**, which serves to combine signals from herald source **140** and delay element **145**.

In some implementations consistent with the principles of the invention, the herald signal from source **140** may include other information, such as framing information or training information. The herald signal may also include control information, such as frame markers, sequence numbers, IP addresses, and/or training information. One such implementation is described in commonly-assigned application Ser. No. 10/462,292, filed Jun. 16, 2003, entitled “Automatic Control of Quantum Key Distribution” which is incorporated by reference herein in its entirety. During actual transmission of, for example, an encryption key, such additional information may be absent or modified to avoid disclosing the information to an eavesdropper.

Delay element **145** may include, for example, a length of polarization maintaining optical fiber. The length of such fiber should be sufficient to delay the a photon at 1550 nm emitted by crystal **120** for a sufficient time for herald source **140** to send a herald signal down channel **150**.

Channel **150** may include a length (e.g., 5–10 km) of single mode optical fiber. In one implementation consistent with the principles of the invention, channel **150** includes fiber typically employed for typical telecommunications networks.

Returning to FIG. 1, receiver **160** may include a herald detector **165**, logic **170**, a modulator **175**, and detectors **180**. Logic **170** may receive an externally-supplied basis and may supply an output to, for example, a processor (not shown)

external to receiver **160**. As an initial overview, herald detector **165** may detect a herald signal from channel **150** that precedes a photon. Based on this detection, logic **170** may “gate” detectors **180** in preparation for the arriving photon. Modulator **175** and detectors **180** may operate on and detect arriving photons.

FIG. 3 illustrates one implementation of receiver **160**. In addition to the above-listed elements, receiver **160** may include a splitter **305** to separate the herald signal from the following entangled photon. In one implementation consistent with the principles of the invention, splitter **305** may be a wavelength division multiplexer (WDM) that separates the herald signal (e.g., at 1300 nm) from the entangled photon (e.g., at 1550 nm) based on their respective wavelengths. Other implementations, such as optical switches, are possible for splitter **305**.

Herald detector **165** may be configured to detect the herald signal from herald source **140**. In one implementation, herald detector may include a typical InGaAs photodiode designed for general telecommunications use such as a PIN detector. Herald detector **165** may output a trigger signal, and any other information in the herald signal, to logic **170** for further processing.

Logic **170** may be configured to receive a trigger signal from herald detector **165** and may also be configured to gate (i.e., bias in preparation of the arrival of an entangled photon) detectors **180** in response. Logic **170** may also be configured to receive an externally-supplied basis and to supply that basis to modulator **175**. Logic **170** may also output the basis and the outputs of detectors **180**. Logic **170** also may, in some implementations, output other information (e.g., training data) received from herald detector **165**.

Modulator **175** may include an interferometer, such as a Mach-Zehnder interferometer. In such an implementation, modulator **175** may include a coupler **310**, a delay loop **320**, a phase shifter **330**, a phase adjuster **340**, and a coupler **350**. Modulator **175** may be arranged and function like its counterpart modulator **125** in transmitter **110**. Similarly, elements **310–360** may function the same as elements **210–260** of modulator, and thus elements **310–360** will not be separately described. Modulator **175** may also have a long arm (including delay loop **320**) and a short arm (including phase adjuster **340**), and the path length difference between the long and short arms ( $\Delta l$ ) is on the order of about 1 meter.

Phase shifter **330** may be configured to introduce a phase shift/delay to the optical signal in the long arm of modulator **175** based on a basis signal that it received from logic **170**. For example, depending on the basis signal, phase shifter **330** may introduce a phase shift of 0°, 45°, 90°, 135°, etc. to an optical signal (i.e., one photon of an entangled pair) passing therethrough. In accordance with the BB84 cryptography protocol, for example, the basis supplied from logic **170** in receiver **160** may be random and independent from the basis used in transmitter **110**.

Detectors **180**, in one implementation consistent with the principles of the invention, may include a first detector (D0) **360** and a second detector (D1) **370**. First detector **360** may be coupled to one output of coupler **350**, and a second detector **370** may be coupled to another output of coupler **350**. First and second detectors **360/370** may include InGaAs avalanche photodiodes (APDs) that have been thermo-electrically cooled to lower their dark current (i.e. detector noise). These detectors **360/370** may also be gated by logic **170** (i.e., a bias voltage is applied for a very short window around the expected arrival time of the entangled photon at 1550 nm). Such gating of detectors **360/370** may further increase detector sensitivity and reduce noise. The

bias voltage (i.e., gating) may be triggered by detection of the herald signal by the herald detector **165**-(PIN detector).

First and second detectors **360/370** may detect photons at a wavelength of 1550 nm, and may be operated in “Geiger gated” mode. In such a mode, the applied bias voltage exceeds the breakdown voltage for a very short period of time (i.e., a “gating period”) when a photon is expected to arrive. Hence, an absorbed photon may trigger an electron avalanche consisting of thousands of carriers. Because the typical time for gating is normally a few nanoseconds, this Geiger mode of operation requires some knowledge of the second, entangled photon’s arrival time. This arrival time may be deduced by logic **170** from herald detector **165**, which may generate a trigger signal. Logic **170** may gate detectors **360/370** after a known delay upon receiving this trigger signal.

#### Exemplary Photon Detection Scheme

System **100** described above may employ modulators **125** and **170** that are reminiscent of a so-called “Weak-Coherent” quantum encryption system. System **100**, however, operates according to different physical principles. A typical Weak-Coherent quantum encryption system (not shown) may convey ‘0’ and ‘1’ values by causing a single photon to interfere with itself in, for example, a coupler within an interferometer. System **100**, by contrast, conveys ‘0’ and ‘1’ values by “coincidences” in the detection clicks of detectors **160/170** in transmitter **110** and detectors **260/270** in receiver **160**. As used herein, a “coincidence” between a pair of quantum entangled photons may be conceptualized as a commonality in behavior of this pair of photons at different locations (i.e., in transmitter **110** and in receiver **160**). This coincidence-based detection scheme may be further explained with respect to FIGS. 4–6.

FIG. 4 is a schematic representation of system **100** as illustrated in FIGS. 1–3. Elements not necessary to understanding of the operation of modulators **125** and **170** have not been shown. Further, elements that have been previously described will not be discussed in detail again. Modulator **125** in transmitter **100** may include long arm **410** and short arm **420**, and modulator **175** in receiver **160** may include long arm **430** and short arm **440**.

FIG. 4 illustrates a single photon (from an entangled pair) that does not interfere with itself, unlike in a typical Weak-Coherent system. There is no self-interference in system **100**, because the imbalance in the short and long arm lengths ( $\Delta l$ ) is greater than the photon’s coherence length ( $l_c$ ). The photon may be conceptualized as a wave rather than as a particle. Thus, the photon follows both paths (e.g., **410** and **420**) of each modulator **125/175**, rather than choosing a single path. The part of the photon pulse that follows the shorter leg (i.e., **420** or **440**) of modulator **125/175** will emerge somewhat sooner than that part of the pulse that takes the longer leg (e.g., **410** or **430**). Because the coherence length  $l_c$  of a given photon is shorter than the difference in arm lengths  $\Delta l$ , the two partial pulses do not overlap at the coupler **250/350**. Thus, unlike the operation of a typical Weak-Coherent system, the entangled photons in system **100** do not constructively or destructively interfere with themselves.

By their nature, entangled photons are in an indeterminate quantum state until interaction with a detector, such as one of detectors **260/270**. Due to the interaction of a photon with a detector, the time at which the photon was generated may be fixed, but which path (e.g., long arm **410** or short arm **420**) the photon took (and hence its phase) is still indeter-

minate. As will be understood, a coupler (e.g., coupler **250**) may send a photon to one of detectors **260** and **270** based on the phase of the photon. As a result, photons that pass through modulators **125/175** will choose a detector (e.g., one of detectors **260/270** or one of detectors **360/370**) at random. Photons will tend to trigger either detector with equal probability. Thus, for every entangled pair at transmitter, either detector **260** (**D0**) or detector **270** (**D1**) will fire unpredictably. This physically unpredictable event gives rise to the random “value” used in the quantum encryption protocol of system **100**.

The same phenomenon also occurs at receiver **160**. Thus, receiver **160** will also receive a random pattern of **D0** and **D1** clicks (i.e., hits on detectors **360** and **370**). One might think that these random events would be completely uncorrelated with the corresponding events at transmitter **110**, but this is not true. Approximately half of the time, the detections of entangled photons at transmitter **110** and receiver **160** will be uncorrelated, and the rest of the time, they will be completely correlated (i.e., “coincidences”). By precisely gating detectors **360** and **370**, which events are correlated may be readily determined. In such cases, one may infer that a **D0** click at receiver **160** means that **D0** detector **260** of transmitter **110** also clicked, and a **D1** click of receiver **160** means that **D1** detector **270** of transmitter **110** also clicked. Such coincidence events between entangled photons facilitate the Entangled Link cryptography employed by system **100**.

To exploit these coincidences, system **100** may employ a “Franson interferometer,” which consists of two unbalanced Mach-Zehnder interferometers (e.g., modulators **125** and **170**), each having a pair of detectors (e.g., **260/270** and **360/370**), as described above. When arranged as described herein, these interferometers produce coincidences that may be exploited.

FIG. 5 schematically illustrates conditions for obtaining coincidences in system **100**. Three parameters should be properly related in order to generate coincidences in a Franson interferometer. These three parameters have been previously mentioned and are as follows:  $l_p$ —the coherence length **510** of the pump photons output by source **115**;  $l_c$ —the coherence length **520** of down-converted, entangled photons output by crystal **120**; and  $\Delta l$ —the path length difference **530** between long and short arms of modulators **125** and **170**. Coincidences between the pair of entangled photons in modulators **125** and **170** may be obtained when:  $l_c < \Delta l < l_p$ .

In practice, the most difficult parameter to achieve is a sufficiently long coherence length  $l_p$  **510** for the pump photons. Choosing a CW source as source **115** may aid in achieving such a long coherence length. As described above with respect to FIGS. 1–3, an entangled photon coherence length  $l_c$  **520** of about 1  $\mu\text{m}$ , a path length difference  $\Delta l$  **530** of about 1m, and a pump photon coherence length  $l_p$  **510** of about 60 m may satisfy the above inequality condition for a Franson interferometer. As those skilled in the art will understand, other values for  $l_c$ ,  $\Delta l$ , and  $l_p$  may be chosen as long as the  $l_c < \Delta l < l_p$  inequality is met.

FIG. 6 illustrates a probability density function for the time of arrival of an entangled photon at detectors **180** in receiver **160**. By way of overview, coincidences in transmitter **110** and receiver **160** may occur when an entangled photon passes through short arm **420** of transmitter **110** and its twin passes through short arm **440** of receiver **160**, or when the entangled photon passes through long arm **410** of transmitter **110** and its twin likewise passes through long arm **430** of receiver **160**. Peak **620** represents the joint

probability of a coincidence. Period **640** represents a gating window for detectors **180** around peak **620**, as will be explained in more detail below. The other two possibilities (i.e., long arm **410** of transmitter **110** mismatched with short arm **440** of receiver **160**, or short arm **420** of transmitter **110** mismatched with long arm **430** of receiver **160**) do not give coincidences. Peaks **610** and **630** represent the respective probabilities of the two non-coincidence cases.

By proper production of a herald signal in transmitter **110**, receiver **160** may disambiguate these different coincidence and non-coincidence events. In system **100**, herald source **140** in transmitter **110** may send a herald signal immediately after receiving a click on one of the detectors **130**, and delay element **145** may delay the twin entangled photon by a fixed length of fiber delay line so that it arrives at receiver **160** after the herald signal. This delay gives receiver **160** a chance to gate detectors **180** to receive the corresponding entangled photon twin.

Suppose that transmitter **110**'s photon followed short arm **420**, and transmitter **110** sends the herald signal upon detection of the "short arm" photon. Receiver **160** may enable (i.e., "gate") its detectors **180** at an appropriate time after receiving the herald signal. If the second entangled photon also follows receiver **160**'s short arm **440**, its arrival will fall within the detector gating window **640**. If the second entangled photon takes receiver **160**'s long arm **430** instead, it will arrive too late (i.e., peak **630**) for the gating window **640** and hence will not be detected. A similar process holds for those detections by detectors **130** caused by entangled photons that take transmitter **110**'s long arm **410**. Those second entangled photons that take receiver **160**'s long arm **430** will be detected during gating period **640**, but those that take receiver **160**'s short arm **440** will arrive too early (i.e., peak **610**) for the gating window **640** and hence will not be detected. Thus, receiver **160** may gate detectors **360/370** so that they will only detect events in which both photons of the entangled pair took the short arms, or took the long arms, of modulators **125/175** and ignore the "mismatch" cases that do not give rise to coincidences.

It should be noted that the time difference among peaks **610–630** is governed directly by the difference in lengths  $\Delta l$  between the long and short arms of the modulators **125/175**, as illustrated in FIG. **6**. Long arms **410/430** may be made a little longer to push the peaks farther apart by increasing  $\Delta l$ . The farther apart peaks **610–630** are, the less stringent are the requirements on jitter for detectors **360/370**, jitter in emitting the herald signal, timing electronics, and so forth. As shown in FIG. **6** and as reflected in the inequality  $l_c < \Delta l < l_p$ , these timing constraints are not particularly severe, because the upper bound on  $\Delta l$  is the coherence length  $l_p$  of the pump photons. Coherence length  $l_p$  may be on the order of 60 meters which corresponds to about 200 nanoseconds.

Finally, it should be noted that cryptography using the BB84 protocol in system **100** may be based only on coincidence events between entangled pairs of photons. Because only half of the potential joint detection events at transmitter **110** and receiver **160** are coincidences, this means that we only half of the potential detection events may be used for transmitting cryptographic data (i.e., the "values" of detectors **130/180**). Also, because of the independent bases employed by transmitter **110** and receiver **160** in accordance with the BB84 protocol, only that subset of the coincidences in which transmitter **110** and receiver **160** agreed on the basis may be used. This reduces throughput of system **100** by another 50%. Other reductions in throughput of system **100** may be due to mis-detected photons or non-detected

photons at transmitter **110** and/or receiver **160**, photons being lost in channel **150**, etc. Thus, the overall throughput of system **100** may be substantially less than the rate at which crystal **120** may produce pairs of entangled photons (e.g., about 20 to 100 KHz).

### Exemplary Processing

FIG. **7** illustrates an exemplary method of generating and transmitting information in accordance with implementations of the present invention. Processing may begin with the generation of a pair of entangled photons by source **115** and crystal **120** [act **710**]. Processing may continue by locally (i.e., in transmitter **110**) detecting a first one of the photons with detectors **130** [act **720**]. Prior to detection, the first photon may be phase-modulated by modulator **125**. In some implementations, modulator **125** introduces a random phase shift to the first photon based on an externally-supplied basis value in accordance with a quantum encryption protocol, such as BB84. Meanwhile, the second entangled photon may be delayed by delay element **145**.

Upon local detection of the first entangled photon, logic **135** may control herald source **140** to transmit a herald signal to receiver **160** via channel **150** [act **730**]. At some point after transmission of the herald signal, the second entangled photon may exit delay element **145** and also may be transmitted to receiver **160** via channel **150** [act **740**].

Herald detector **165** in receiver **160** may receive the herald signal, and logic **170** may gate detectors **180** based on the herald signal [act **750**]. For example, detectors **180** may be biased beginning and ending at certain times so that detectors **180** will only detect the second photon if the two entangled photons took identical paths (i.e., short arm/short arm or long arm/long arm) in modulators **125** and **170**. Because of this gating, path mismatches between the two entangled photons will not result in a detection of the second photon as described above with respect to FIG. **6**.

If the path taken by the second entangled photon through modulator **175** coincides with the path taken by the first entangled photon through modulator **125**, one of gated detectors **180** may detect the second photon [act **760**]. In some implementations, modulator **175** introduces a random phase shift to the second photon based on an externally-supplied basis value in accordance with a quantum encryption protocol, such as BB84. After the detection, logic **170** may output the values from detectors **180** (i.e., D0 and D1 values) and the basis value that correspond to these values.

Other processing in accordance with the quantum encryption protocol used (e.g., BB84) may be performed by logic **170** or a processor external to receiver **160**, as will be understood by those skilled in the quantum encryption art.

### CONCLUSION

Systems and methods consistent with the present invention may locally detect one photon of an entangled photon pair. Another photon of the entangled photon pair may be remotely detected based on the local detection of the one photon.

The foregoing description of preferred embodiments of the present invention provides illustration and description, but is not intended to be exhaustive or to limit the invention to the precise form disclosed. Modifications and variations are possible in light of the above teachings or may be acquired from practice of the invention.

For example, although modulators **125/175** have been described, other devices may be used that operate to intro-

duce and remove a suitable delay (e.g.,  $\Delta t$ ) between two signals. Similarly, phase shifters 230/330 may be replaced by any other device or component that produces an adjustable phase shift between two transmitted signals. Further, basis values employed by transmitter 110 and receiver 160 need not be externally-supplied.

Moreover, although certain exemplary wavelength values are described herein, the principles of the invention are not limited to these wavelength values. Rather, implementations consistent with the principles of the invention may utilize any other suitable wavelengths of electromagnetic radiation. For example, such suitable wavelengths may range from ultraviolet to visible to infrared wavelength regions, and may even include wavelengths above and/or below these wavelength regions.

Also, while a series of acts has been described with regard to FIG. 7, the order of the acts can be varied in other implementations consistent with the present invention, and non-dependent acts can be implemented in parallel.

No element, act, or instruction used in the description of the present invention should be construed as critical or essential to the invention unless explicitly described as such. As used herein, the article "a" is intended to include one or more items. Where only one item is intended, the term "one" or similar language is used. The scope of the invention is not limited to the foregoing description, and is instead defined by the appended claims and their equivalents.

What is claimed is:

1. A quantum cryptography system, comprising:
  - a transmitter configured to generate entangled first and second photons, modulate and detect the first photon, and transmit detection information and the second photon, wherein the transmitter includes:
    - an optical apparatus configured to produce the first and second entangled photons,
    - a first modulator coupled to the optical apparatus and configured to modulate the first photon,
    - detectors coupled to the first modulator and configured to detect the first photon, and
    - a herald source configured to transmit the detection information to the receiver when the detectors detect the first photon, wherein the herald source is further configured to transmit one or more bits of control information including frame markers, sequence numbers, IP addresses, or training information; and
    - a receiver configured to modulate the second photon and configured to detect the second photon based on the detection information.
  2. The quantum cryptography system of claim 1, wherein the transmitter further includes:
    - logic configured to change a phase shift applied to the first photon by the first modulator based on a basis value externally supplied to the transmitter.
  3. The quantum cryptography system of claim 1, wherein the transmitter further includes:
    - a delay element coupled to the optical apparatus and configured to delay the second photon before transmission to the receiver.
  4. The quantum cryptography system of claim 1, wherein the receiver includes:
    - a herald detector configured to detect the detection information.
  5. The quantum cryptography system of claim 4, wherein the receiver further includes:

a second modulator configured to modulate the second photon, detectors coupled to the second modulator and configured to detect the second photon, and logic coupled to the herald detector and configured to enable the detectors for a gating period based on the detection information.

6. The quantum cryptography system of claim 5, wherein the logic is configured to change a phase shift applied to the second photon by the second modulator based on a basis value.

7. The quantum cryptography system of claim 6, wherein the logic is configured to output values produced by the detectors and the basis value.

8. A transmitter in a quantum cryptography system, comprising:

an optical apparatus configured to produce first and second entangled photons;  
a modulator configured to receive and modulate the first photon;

two detectors coupled to an output of the modulator and configured to detect the first photon from the modulator;

logic coupled to the modulator and the two detectors, wherein the first and second entangled photons produced by the optical apparatus have an associated coherence length, and

wherein the modulator includes two arms with a path difference therebetween, the path difference of the modulator being greater than the coherence length of the first and second entangled photons,

wherein the logic is configured to:

receive an external basis value and supply the basis value to the modulator to selectively change a phase of the first photon, and

receive outputs of the detectors and provide a trigger signal when one of the outputs indicates a detection of the first photon; and

a herald source configured to transmit a herald signal via a communication channel upon receiving the trigger signal from the logic.

9. The transmitter of claim 8, wherein the optical apparatus includes:

an optical source configured to produce pump photons having an associated coherence length, and

a crystal configured to receive the pump photons and emit the first and second entangled photons.

10. The transmitter of claim 9, wherein the coherence length of the pump photons is greater than the path difference of the modulator.

11. The transmitter of claim 8, wherein the modulator includes:

a phase shifter configured to impart a phase shift to the first photon based on the basis value from the logic.

12. The transmitter of claim 8, further comprising:

a delay element configured to receive and delay the second photon by a predetermined amount before transmitting the second photon via a communication channel.

13. The transmitter of claim 8, wherein the first and second photons have different wavelengths.